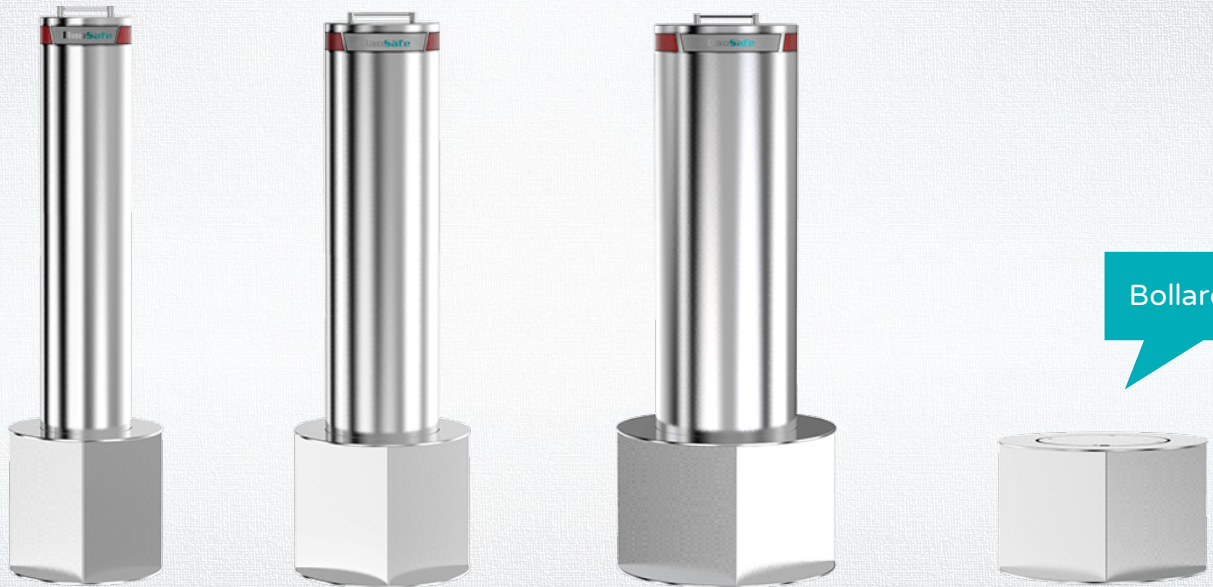


## DSSP1002 Removable Security Bollards



IP68

SUS304

3M Reflective Tape

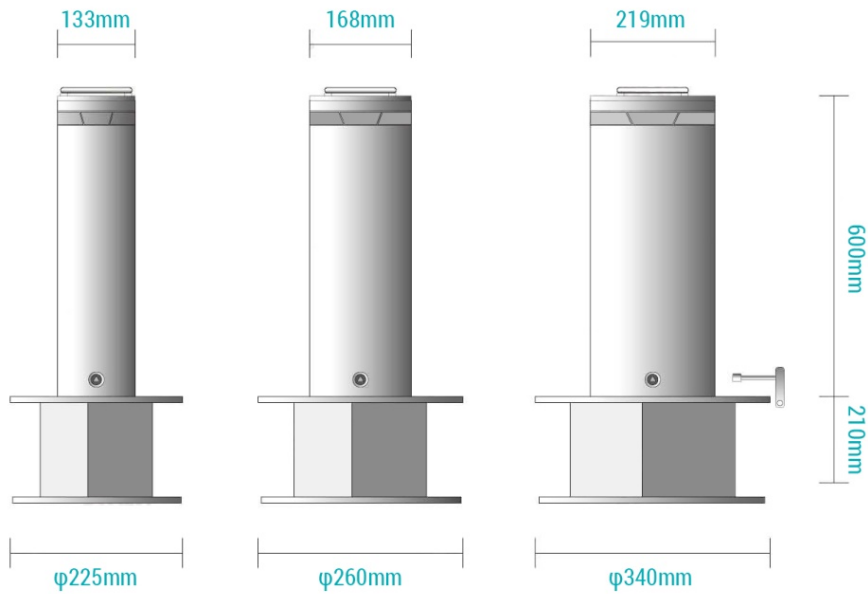
DSSP1002 is a high-quality removable bollard which is used widely to protect security areas from vehicle intrusion. It is an ideal solution for both frequent and limited access areas. The solid body can stop the vehicle with high tonnage and high speed easily.

- ◆ Removable bollards come in a variety of sizes to suit a range of security needs.
- ◆ These security bollards are available in three different sizes, 133mm, 168mm, and 219mm in diameter.
- ◆ With triangle locking mechanism, bollards can be installed and removed by people.
- ◆ 304 stainless steel for cylinder, flange, top cover and hand grip.
- ◆ Passed the international SGS IP68 protection grade certification, can be immersed in water to work.
- ◆ Flange groove design for aesthetics and skid proof.
- ◆ 3M-DG3 reflective tape, visual range 600m.
- ◆ With hand grip to facilitate lift and movement.
- ◆ Application area: school, park, stadiums, government facilities, and military facilities...

# Specifications

Model No.	DSSP1002
Brand	Daosafe
Dimension	φ225( φ260/φ340)* 745mm
Height Aboveground	600mm
Height Underground	210mm
Cylinder Diameter	133mm (168/219mm optional)
Cylinder Thickness	3mm (6mm optional)
Weight	20kg (26kg, 37kg)
Drainage system	optional
Reflective Tape	3M-DG3, 50mm
Cylinder	304 stainless steel-brushed
Pre-embedded Section	304 stainless steel+Q235 steel (A3)
Flange	304 stainless steel-brushed
Top Cover	304 stainless steel-brushed
Hand Grip	304 stainless steel-polished

# Dimensions



# Related Components

