



MODEL DS401WS
(handicap type)

SAFETY
LEVEL

AESTHETICS

COSTING

Description

- DS401WS full height turnstile added canopy to protect the body from inclement weather and to prevent persons who want to climb over for unauthorized entry.
- The body is made of brushed stainless steel which is robust, rigid, anti-rust, waterproof and durable.
- It is ideal for both indoor and outdoor settings.
- Solid rain protection roof to resist bad weather and intrusions, with 304 or 316 stainless steel optional. The passage width can reach to 1200mm for large deliveries and handicapped pass through.
- It has standard relay signal, which can be integrated with any kind of third-party access control system (e.g.: RFID, Fingerprint and Biometric reader device).
- It supports any type of external device solution. (e.g.: Display, Counter, Reader, Face recognition, Push button, Card collector, RFID Wristband Collector, Coin insert, Barcode/QR reader, Wheel).
- In case of emergency, turnstile gate will open automatically to allow free passage when power off.
- It is suitable for areas with high security. (e.g.: Embassy, Stadium, Bank, Jail, Oil Field, Construction site, Station).

Features

- ✓ Long-life performance, high operation dependability and fast response.
- ✓ Anti-tailing function: only one person passes at one time.
- ✓ Override key function: when emergency, can control turnstile open/close manually.
- ✓ The mechanism is equipped with an automatic regulated hydraulic buffer device. No noise and impact when running.
- ✓ Single directional or Bi-directional is selectable.
- ✓ Automatic reset function: turnstile arm will lock automatically within 5s (can be setting) if passenger delay to entry.
- ✓ LED indicator (red × means no entry; green → means entry).
- ✓ Structure of trunking to contain cable tidy inside the case.
- ✓ Structure of ring cover on top and bottom to beautify it.
- ✓ Structure of arm with round stainless-steel end cover.
- ✓ Easy to install and maintain.
- ✓ 3-year warranty support.



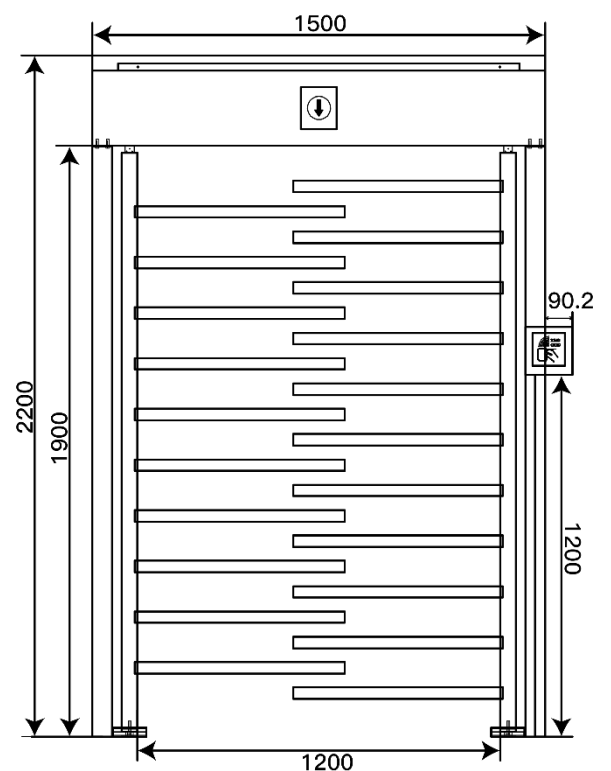
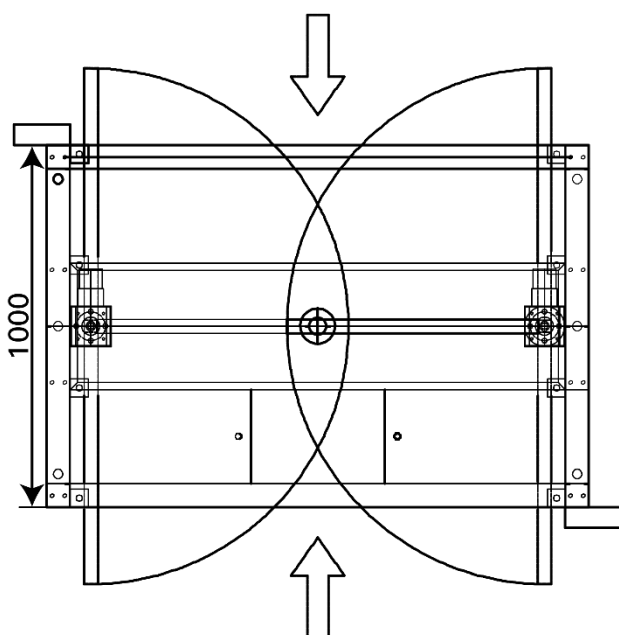
We don't only offer turnstile gates

We offer full access control solutions



Specification

Model No.	DS401WS
Type	Full height turnstile (handicap type)
Brand	Daosafe
Framework Material	304 full stainless steel
Dimension	1500 * 1000 * 2200mm
Net Weight	300kg/pcs
Passage Width	1 lane, 1200mm/lane
Passing Direction	Single directional / Bi-directional
MCBF	5 million
Power Supply	AC220V/110V, 50/60Hz
Operation Voltage	24V DC
Power Consumption	40W
Operation Temperature	-15 °C – 60 °C
Operation Humidity	0 ~ 95% (No freeze)
Working Environment	Indoor / Outdoor
Flow Rate	35-40 people per minute
LED Indicator	Yes
Emergency	Automatic arm open when power off
Communication	Dry contact, Relay signal, RS485



Working with
DS401RS for higher
security demand



DaoSafe

Combine both of DS401WS and DS401RS is safe and efficient, model DS401RS is to control normal passage, and DS401WS with 1200mm width plays a complementary role to allow wheelchair and cart pass.



DaoSafe



- **Face Recognition**
Dynamic face recognizes, non-contact and trendy solutions
- **Barcode /QR scanner**
Connect with mini PC or access controller to use
Support phone or paper Barcode/QR
- **RFID Card**
All kinds of RFID card reader, such as
Mifare, EM cards, HID card, Key Fob, Wristband...
- **Biometric Device**
Support Fingerprint, RFID card, password
Popular and secure access control solutions
- **Key Fob**
RFID type, mainly use in apartment
- **Card Collector Machine**
The solution is mainly used in park, building for visitor
- **Wristband**
RFID type, mainly used in swing pool and gym
- **Coin Insert**
The solution is mainly for bus stations or toilet
- **Wheel**
Integrated on turnstile for movable and portable
- **Button**
Exit by freely passing/ push button
- **3rd Party Access Controller**
Any 3rd party access controller can integrate
with all our turnstiles



DaoSafe

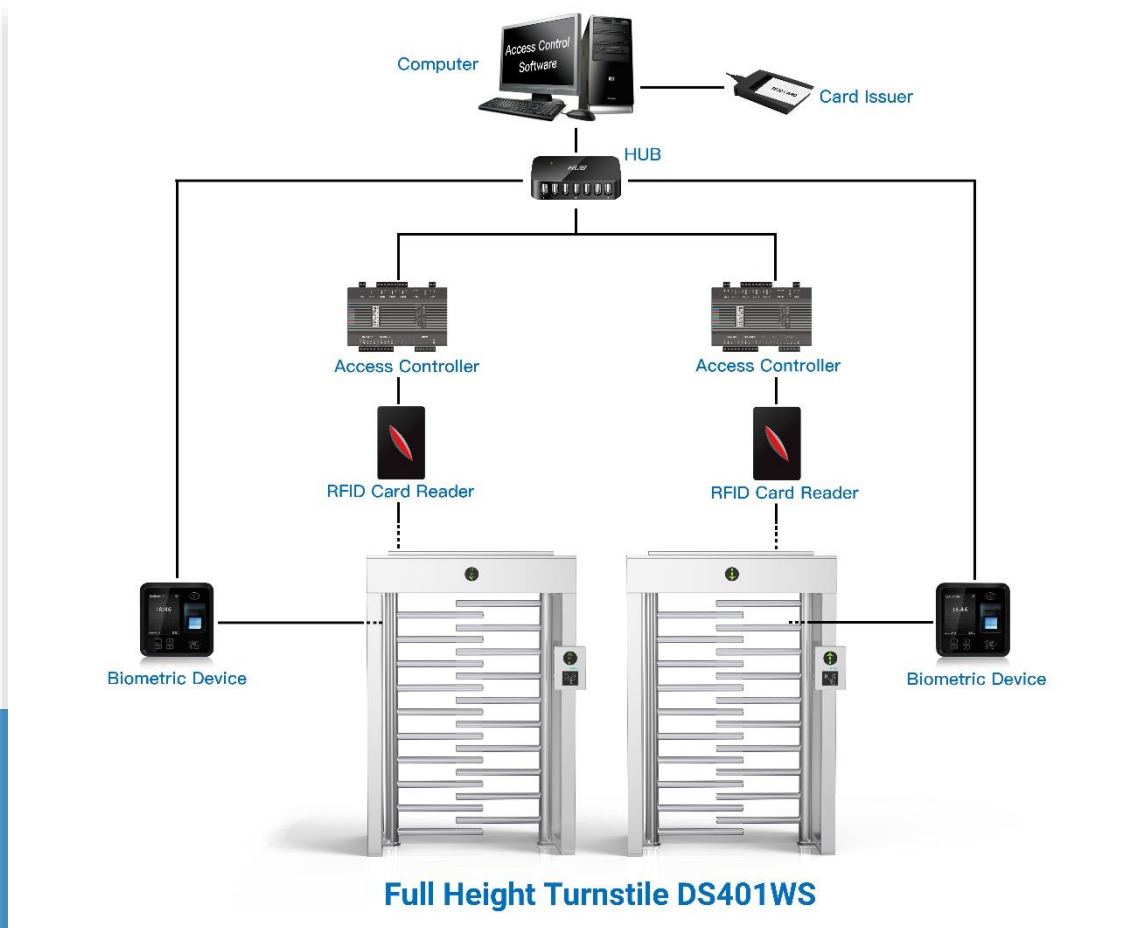
Full Height Turnstile DS401WS is a single door type with rain cover, which is ideal for using at outdoor environments and with 1200mm passage width for large deliveries and handicapped pass through.



Working with
DSSP6002 Railings

DaoSafe

System Integration Figure



REMARK:

- The turnstile circuit board support to work with any relay signal, and support to integrated with any 3rd party access control system: RFID, BIOMETRIC, QR/BARCODE and so on.
- Multiple access controller board can be connected by TCP/IP through net cable, control by central computer.
- The turnstile circuit board is also with RS232 output, it can connect with mini PC. Turnstile will open once received simple code by computer, which is suitable for the complicated like ticketing system solution.

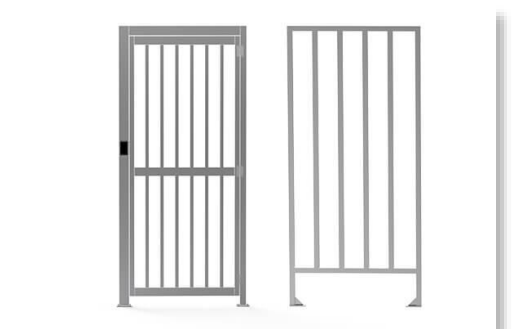
Full height turnstile is for maximum security in all type turnstiles. The most obvious feature of DS401WS is that the turnstile top with canopy to shelter from the severe environments. Meanwhile, 304 or 316SS framework material also enhances this capability.



DS401WS Single Door



DS401RS Single Door



Pedestrian Gate and Railings