



Model DS411+DSSP6005D

Single Turnstile on Base

- * DS411 full height turnstile is the highest security kind of turnstile and designed in single door type for pedestrian access.
- * DSSP6005D has uneven surface can effectively prevent slipping, the inclined surface can better transport the turnstile, both sides gaps can be picked up by forklifts.
- * Which is very stable and does not need to be fixed, it can be placed directly on any ground to be used.
- * This units are great for use at construction sites, high-attendance events, or to control access to locations temporarily.

Features

- Two way or one way working.
- 304/316 brushed stainless steel, durable and antirust.
- The movement with absorber structure, making the product operate very quietly.
- Support integrated with any type of access control systems.
- Anti-tailing function: only one person passes at one time.
- Structure of trunking to contain cable tidy inside the case.
- Green and red LED indicator display passing status.
- IP65 waterproof level, indoor/outdoor use.
- Fire safety requirements, arms open automatically.
- Entry direction can be controlled manually through lock.
- Easy to install and maintain.
- 3 years warranty support.

Customized Service

- Material optional.
- Appearance color can be customized based on installation environment.
- Dimensions can be customized to meet your request.
- Logo can be customized.
- Picture: high resolution and 3D renderings pictures can be customized



Manually Control Entry Direction



Anti-slip Aisle Board



304SS Waterproof



Both Sides Gaps: can be picked up by forklifts



Anti-tailing Function: one person can pass at one time

Access Control System

Daosafe turnstile gates can be well integrated with any 3rd party access control systems



Card Solution



QR/Bar Code Solution



Biometric Solution



Remote Control



Touchless Button



Card



QR Code



Fingerprint



Face



Palm Vein

DS411+DSSP6005D installed at building entrance

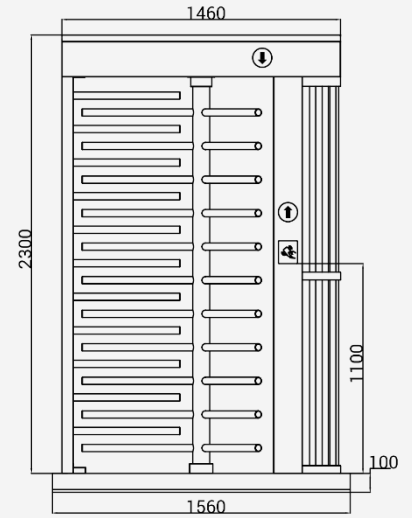


Specifications

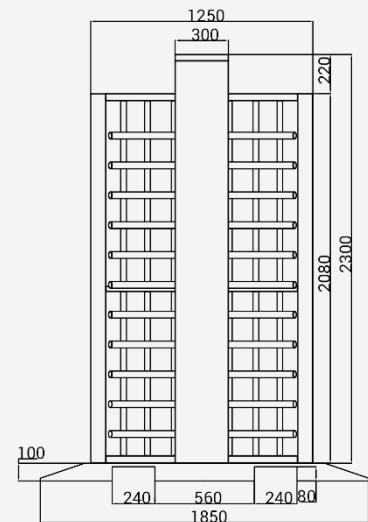
Model No.	DS411+DSSP6005D
Type	Single Turnstile on Base
Brand	Daosafe
Framework Material	304 Stainless Steel
Dimension	Turnstile: 1460*1250*2300mm Base: 1560*1850*100mm (customizable)
Inner Height	2080mm
Net Weight	Turnstile: 200kg/pcs+Base: 50kg/pcs
Passage Width	666mm/lane
Passing Direction	Single directional / Bi-directional
MCBF	10 million
Power Supply	AC220V/110V, 50/60Hz
Operation Voltage	24V DC
Power Consumption	40W
Operation Temperature	-15 °C – 60 °C
Operation Humidity	0 ~ 95% (No freeze)
Working Environment	Indoor/Outdoor
Flow Rate	30 people per minute
LED Indicator	Two LED indicators on top: green → entry, red × no entry
Communication	Dry contact, Relay signal, RS485
Emergency	Arms will open automatically
Flexibility	Integrate with any access control

Dimensions

Front View



Side View



Top View

